

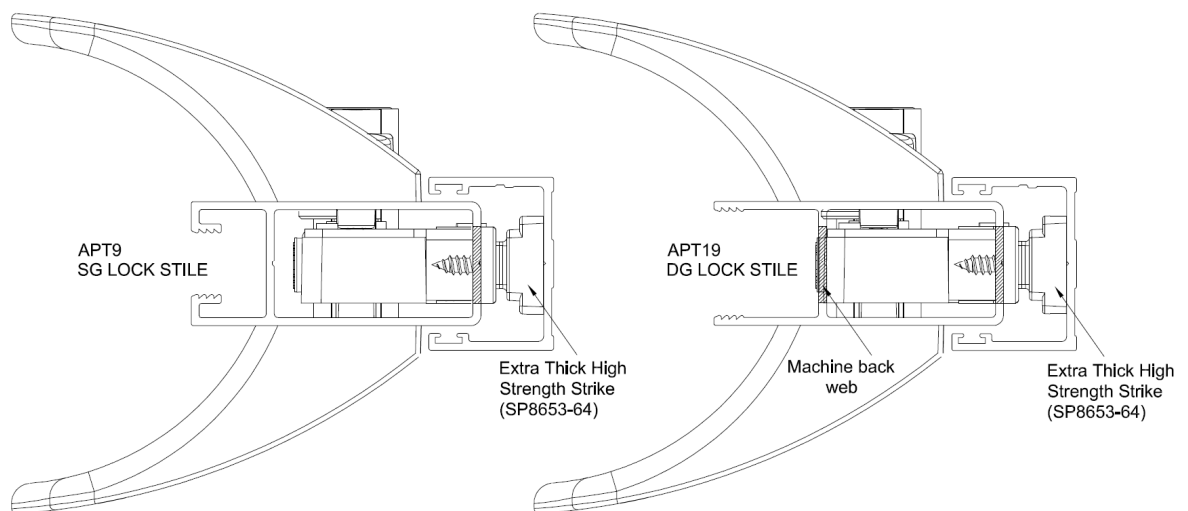
CUSTOMER TECHNICAL MEMO # 226

Subject: 8653D Patio Door Handle

Date: April 2015

The new Lockwood 8653D Sliding Patio Door Lock fits onto the Altitude door when in an XO, OX, OXX and XXO configurations only.

Please note the APT19 DG LOCK STILE does require the back of the glazing pocket to be machined out to fit the lock body into the extrusion.



If you have any questions please do not hesitate to contact your Area Manager or local Branch.

Regards

Product Development